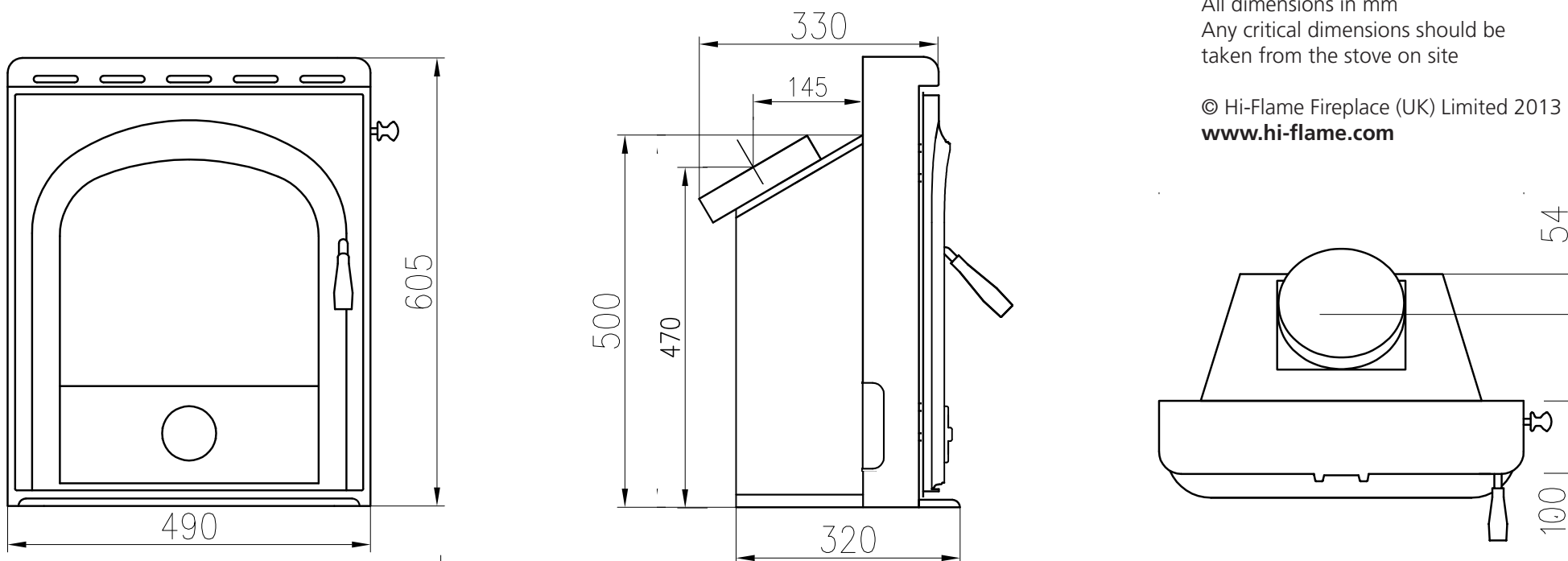


Alpha Multi Fuel Inset Stove

Model AL357i

GENERAL EXTERNAL DIMENSIONS



hi-flame

MULTI FUEL STOVES

All dimensions in mm
Any critical dimensions should be
taken from the stove on site

© Hi-Flame Fireplace (UK) Limited 2013
www.hi-flame.com

CPR DECLARATION OF PERFORMANCE

Net Weight	83 kg
Gross Weight (packed)	95 kg

Data from CE Test EN13229

Fuel	Mineral Fuel & Wood Logs
WOOD	
Nominal Heat Output	4.9 kW
Test Duration (approx)	1.02 hrs
Efficiency (net)	75.2%

Mean CO Emission (at 13%)	0.15
Mean Flue Gas Temperature	302°C
Flue Gas Mass Flow	4.8 g/s
<i>ANCIT (mineral fuel)</i>	
Nominal Heat Output (wood)	4.8 kW
Test Duration (approx)	3.99 hrs
Efficiency (net)	68.3%
Mean CO Emission (at 13%)	0.21
Mean Flue Gas Temperature	312°C
Flue Gas Mass Flow	6.3 g/s

Minimum Distance to Combustible Materials

Top (shelf)	600 mm
Sides	250 mm

Flue

Flue configuration	top only
Flue pipe / liner diameter	150 mm (6")
Minimum flue height from base of stove	4500 mm (15')